

Spare Parts List

Katalog náhradních dílů pro
průmyslový šicí stroj

GARUDAN[®]

GC-330-543H/L40

GC-331-543H/L40



ANITA B, s.r.o.

Hliníky 2068

680 01 Boskovice

Czech Republic

tel: +420 516454774, 516453496

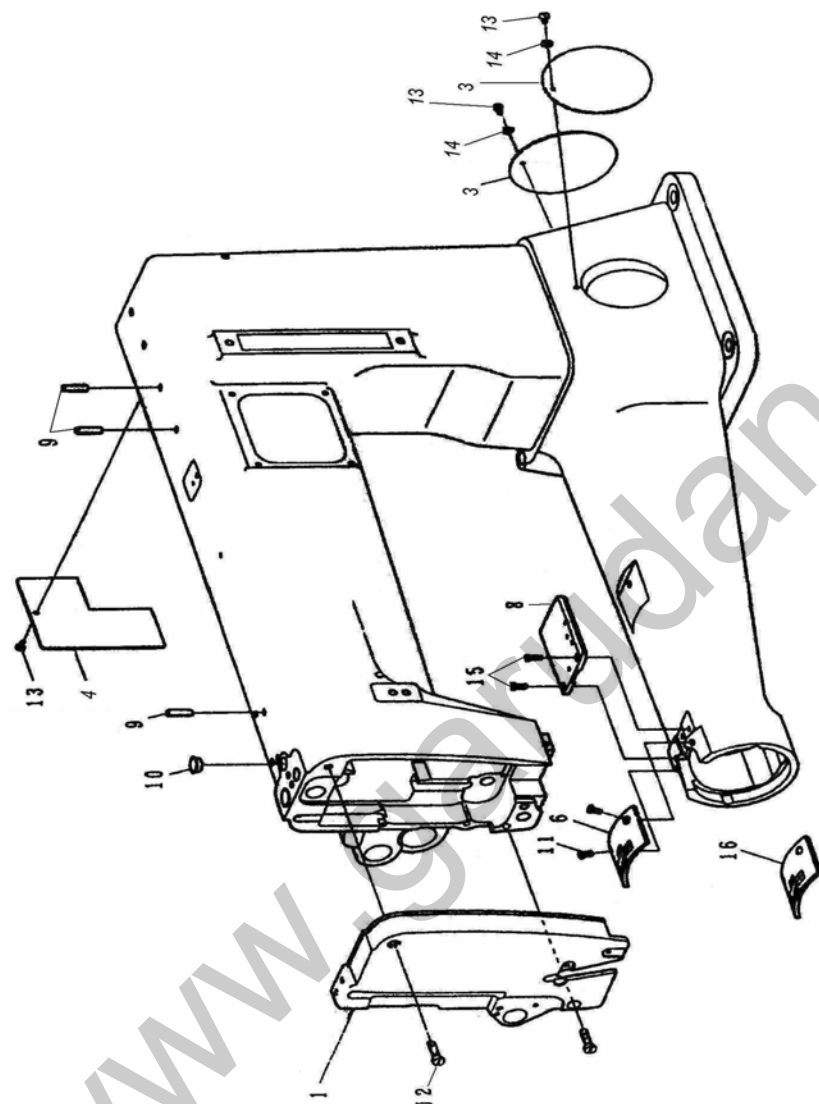
fax: +420 516452751

e-mail: info@anita.cz

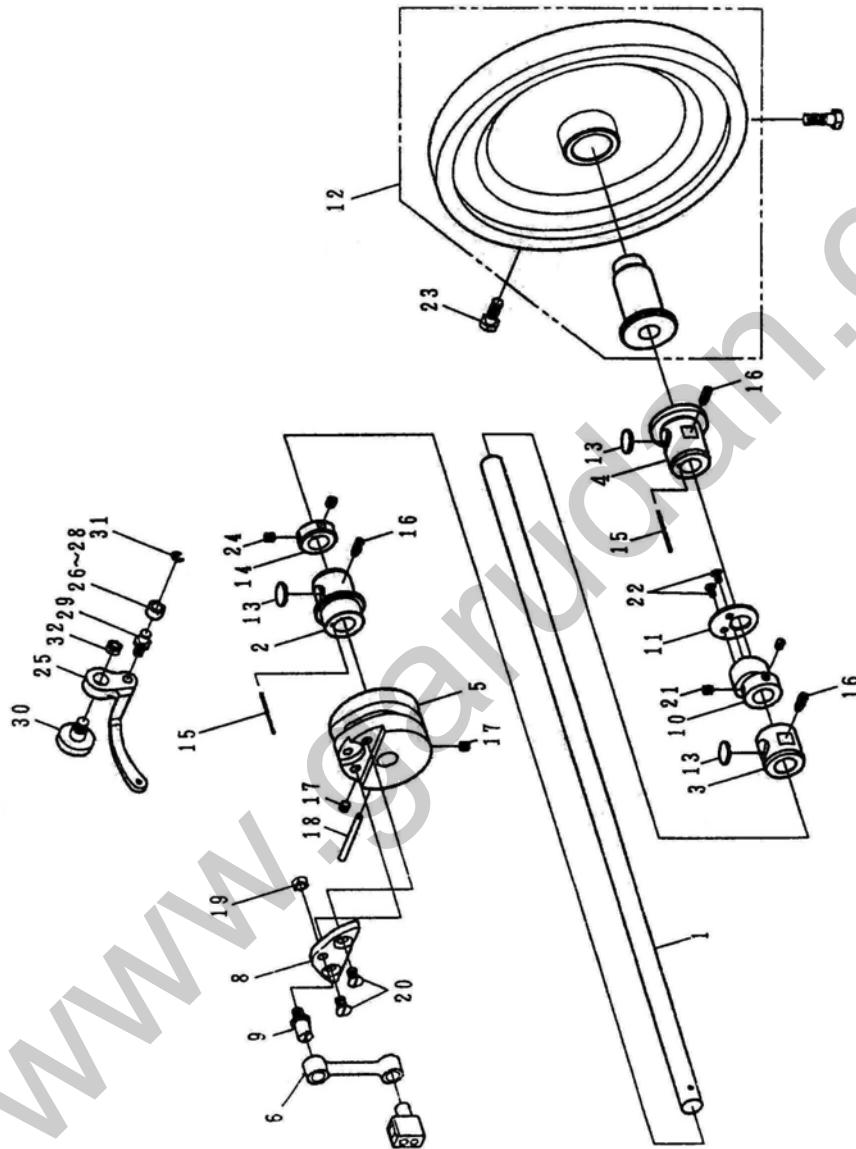
www.garudan.cz

Spare Parts Lists

A	Body and it's Accessories.....	4,5
B	Main Shaft Components.....	6-7
C1	Needle bar. Upper Feed Mechanism Components.....	8-9
C2	Needle bar. Upper Feed Mechanism Components	10-11
C3	Needle bar. Upper Feed Mechanism Components	12-13
D	Pressure Bar Components.....	14-15
E1	Feed Mechanism Components.....	16-17
E2	Feed Mechanism Components	18-19
F1	Hook Driving Shaft Components.....	20-21
F2	Hook Driving Shaft Components	22-23
G	Thread Tension Components.....	24-25
H1	Bobbin Winder Components.....	26-27
H2	Bobbin Winder Components.....	28-29
I	Knee Lifter Components.....	30-31
J	Belt Cover Components.....	32-33
K	Thread Stand.....	34-35
L	Stand Components.....	36-37
M	Accessories.....	38-39
N	Binder Mechanisms (Lemovací mechanismus).....	40-41
O	Set For Standard Sewing (Sada pro šití bez lemovače).....	42-43



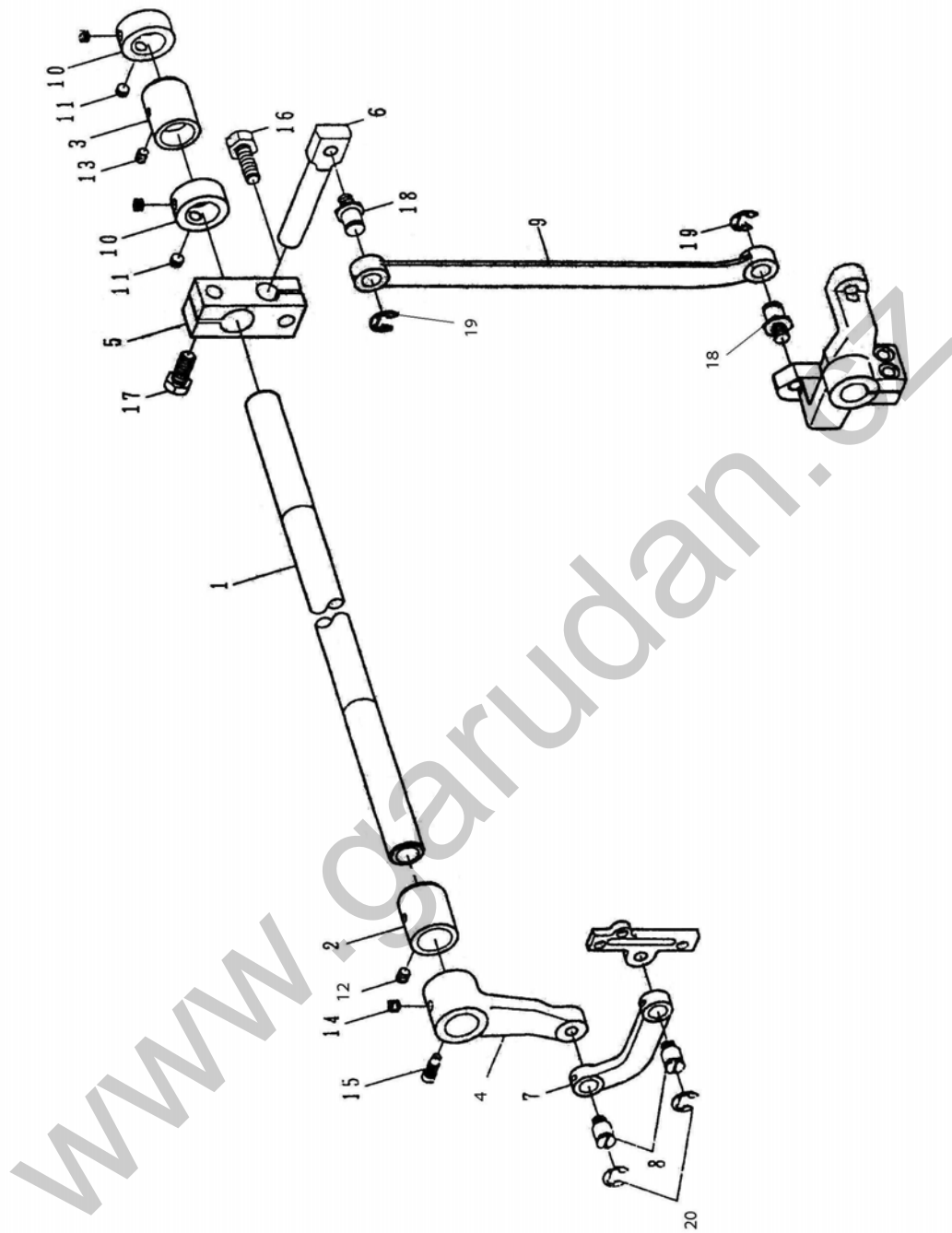
REF. No	Part No.	Name of Part	QTY
1	4410111005	Face Plate Asm.	1
3	4710111100	Side Cover, A	2
4	4410111200	Side Cover, B	1
6	4410111300	Throat Plate	1
8	4710111600	Slide Plate	1
9	YD050018	Oil Pipe	3
10	S1013-0A	Rubber Plug	1
11	ZSB12045	Screw 3/16-28 L=8	2
12	ZSB15014	Screw 15/64-28 L=18	2
13	ZSB09047	Screw 9/64-40 L=7	3
14	WC049001	Washer	2
15	ZSB11018	Screw 11/64-40 L=9	2
16	4410111400	Throat Plate (snort)	(1)



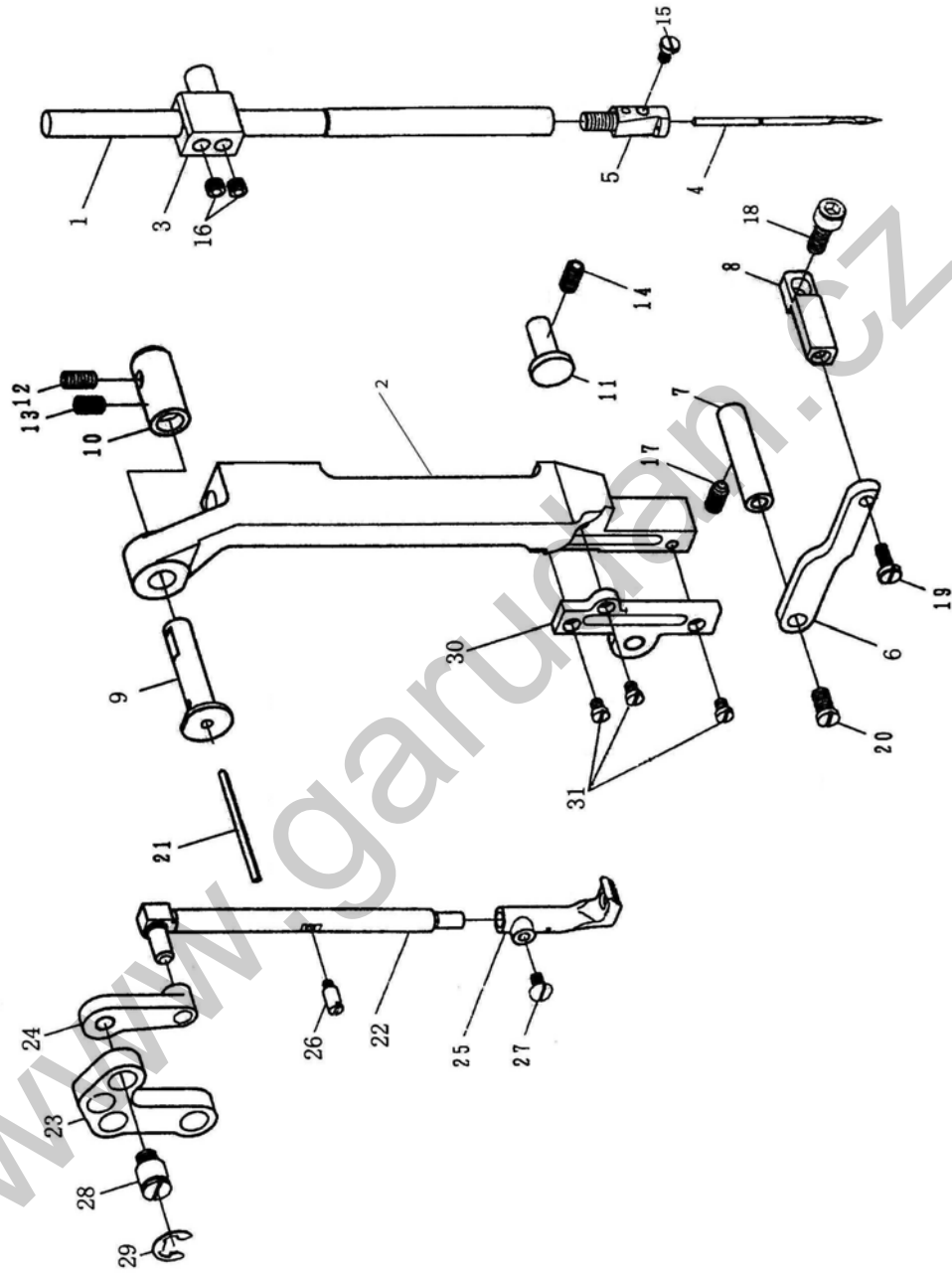
REF. No	Part No.	Name of Part	Q'TY
1	4710120101	Main Shaft	1
2	4710120201	Main Shaft Bushing ,Front	1
3	4710120300	Main Shaft Bushing ,Center	1
4	4710120400	Main Shaft Bushing , Rear	1
5	4710191301	Thread Take Up Cam	1
6	4410121000	Needle Bar Crand Rod	1
8	4710121100	Crand Plate	1
9	4710121300	Needle Bar Crank Shaft	1
10	4710122000	Feed Cam	1
11	4710122100	Side Plate	1
12	4710122304	Hand Wheel Asm.	1
13	47101225	Felt	3
14	4710122601	Thrust Coller	1
15	XA200160	Oil Wick	2
16	ZSA1510	Screw 15/64-28 L=15	3
17	ZSH16001	Screw 1/4-40 L =6	2
18	YB040045	Tapered Pin 4.0X45	1
19	ZSL18001	Nut 9/32-28	1
20	ZSC1800	Screw 9/32-28 L=22	2
21	ZSH15001	Screw 15/64-28 L=7	2
22	ZSC11007	Screw 11/64-40	2
23	ZSD20003	Screw 5/16-24 L=21	2
24	ZSA16025	Screw 1/4-40 L=6	2
25	4710190100	Thread Take Up Lever	1
26	4710190200	Roller	1
27	4710190220	Roller	(1)
28	4710190230	Roller	(1)
29	4710190300	Roller Stud	1
30	ZSG20012	Hinge Screw	1
31	RE000040	E-Shaped Snap Ring(4mm)	1
32	ZSL18001	Nut 9/32-28	1

Note

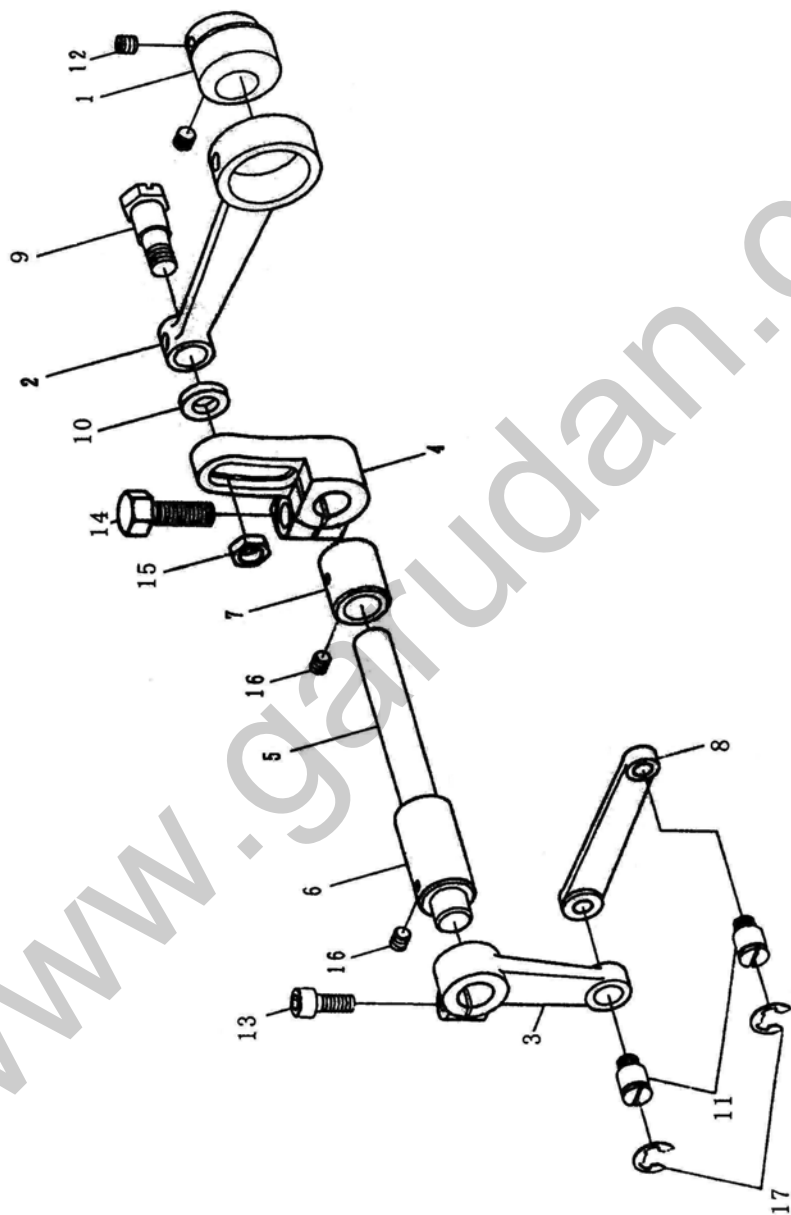
#3.....Selective part



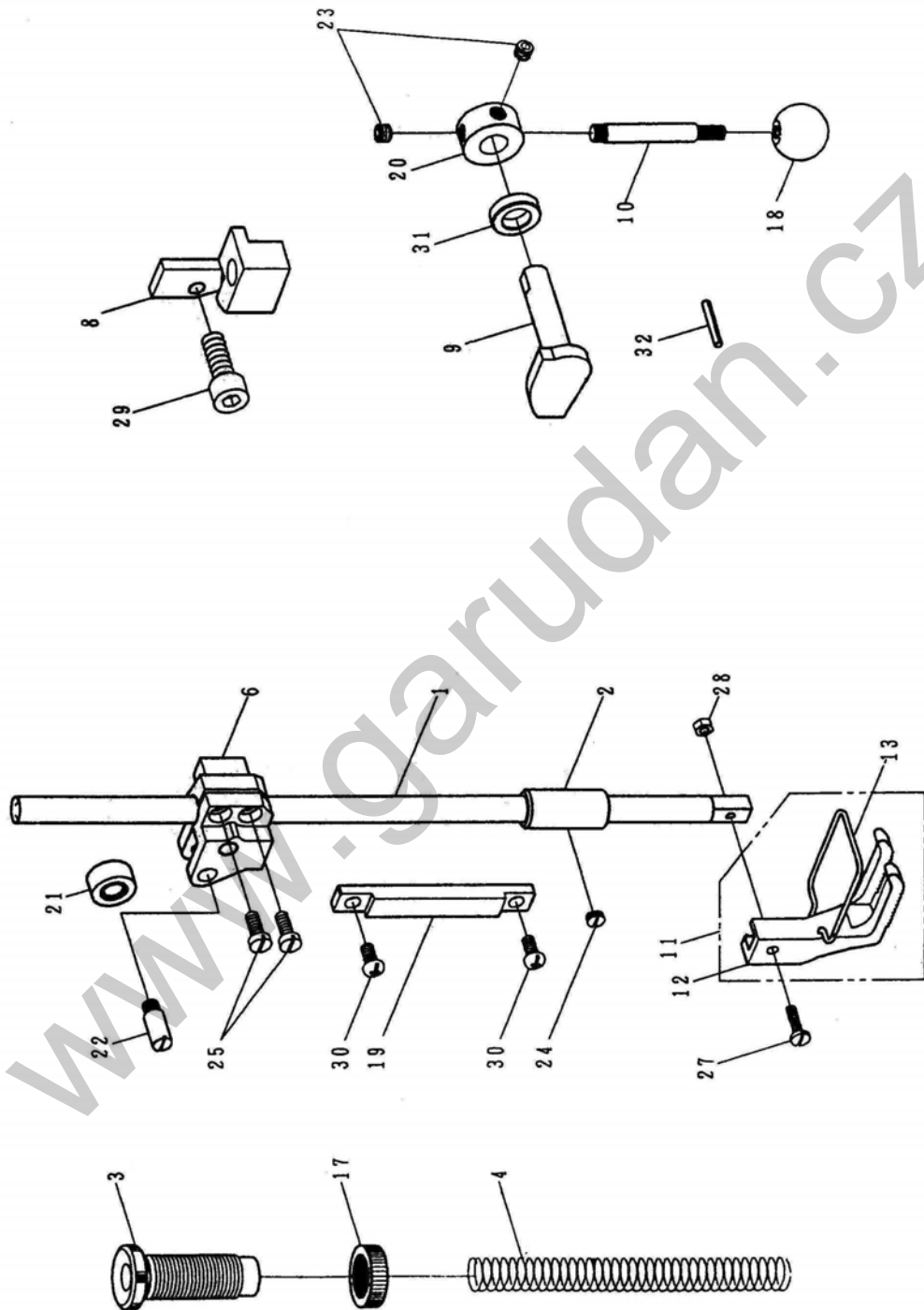
REF. No	Part No.	Name of Part	QTY
1	4410142100	Driving Shaft	1
2	4410145600	Driving Shaft Front Metal	1
3	4710142201	Driving Shaft Rear Metal	1
4	4410142300	Driving Shaft Rod, Front	1
5	4410142400	Driving Shaft Rod, Rear	1
6	4410141900	Driving Shaft Rear Arm Pin	1
7	4410143100	Frame Driving Link	1
8	ZSK18019	Hinge Screw	2
9	4410142000	Frame Driving Rod	1
10	LG4043-0A	Thrust Collar D=18 W=12	2
11	ZSA16010	Screw 1/4-40 L=4.5	4
12	ZSA15028	Screw 15/64-28 L=7	1
13	ZSA15028	Screw 15/64-28 L=7	1
14	ZSH16005	Screw 1/4-40 L=4.5	1
15	ZSB15015	Screw 15/64-28 L=14.5	1
16	ZSD20011	Screw 5/16-18 L=23	1
17	ZSD20009	Screw 5/16-18 L=25	1
18	ZSK20009	Hinge Screw	2
19	RE0000080	E-Shaped Snap Ring(8mm)	2
20	RE0000080	E-Shaped Snap Ring(8mm)	2



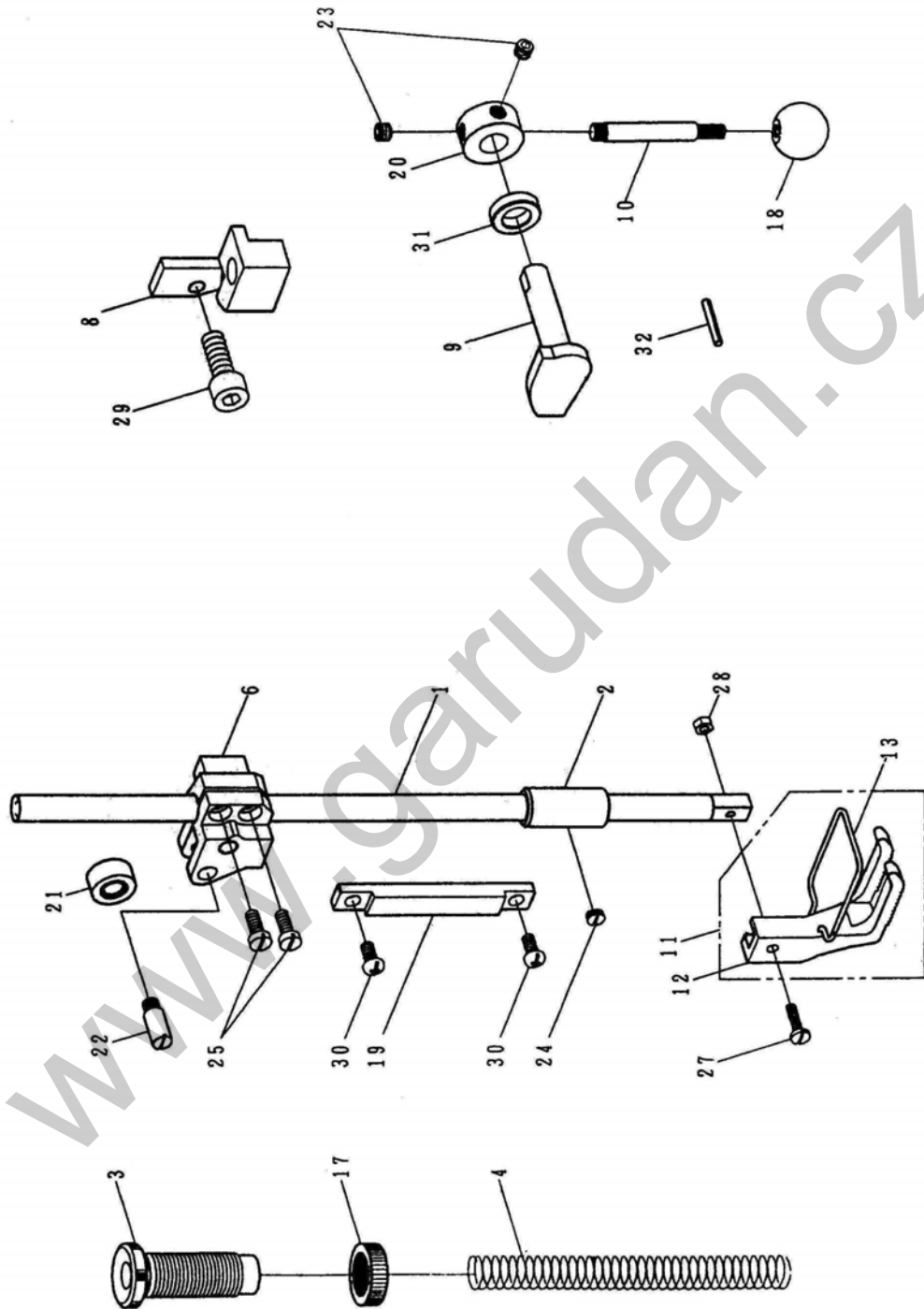
REF. No	Part No.	Name of Part	QTY
1	4410140100	Needle Bar	1
2	4410270100	Frame Driving Base	1
3	4410140900	Needle Bar Connection	1
4	IN794#230	Needle (794 Nm=230-4)	1
5	4410140200	Needle Stopper	1
6	4410143700	Pressure Plate	1
7	4410272300	Setting Shaft	1
8	4410272200	Setting Plate	1
9	4410270200	Frame Driving Base Shaft	1
10	4410273000	Frame Driving Base Shaft Metal	1
11	4410270400	Frame Driving Base Guide	1
12	ZMH06005	Screw M6 L=12	1
13	ZMH06010	Screw M6 L=10	1
14	ZMH06005	Screw M6 L=12	1
15	ZSB11022	Screw 11/64-40 L=7	1
16	ZMH16005	Screw 1/4-40 L=4.5	2
17	ZMH06005	Screw M6 L=12	1
18	ZMJ06002	Screw M6 L=21	1
19	ZSB11076	Screw 11/64-40 L=12	1
20	ZSB15004	Screw 15/64-28 L=10.5	1
21	XA200100	Oil Wick	1
22	4410150100	Upper Feed Bar	1
23	4410143600	L Link	1
24	4410143300	Upper Feed Frame Driving Link	1
25	4410151000	Pressure Foot	1
26	4410142900	Upper Feed Bar Pin	1
27	ZSB11041	Screw 11/64-40 L=7	1
28	ZSK18019	Hinge Screw	1
29	RE000080	E-Shaped Snap Ring(8mm)	1
30	4410151100	Guide Plate	1
31	ZSB11042	Screw 11/64-40 L=4.5	1



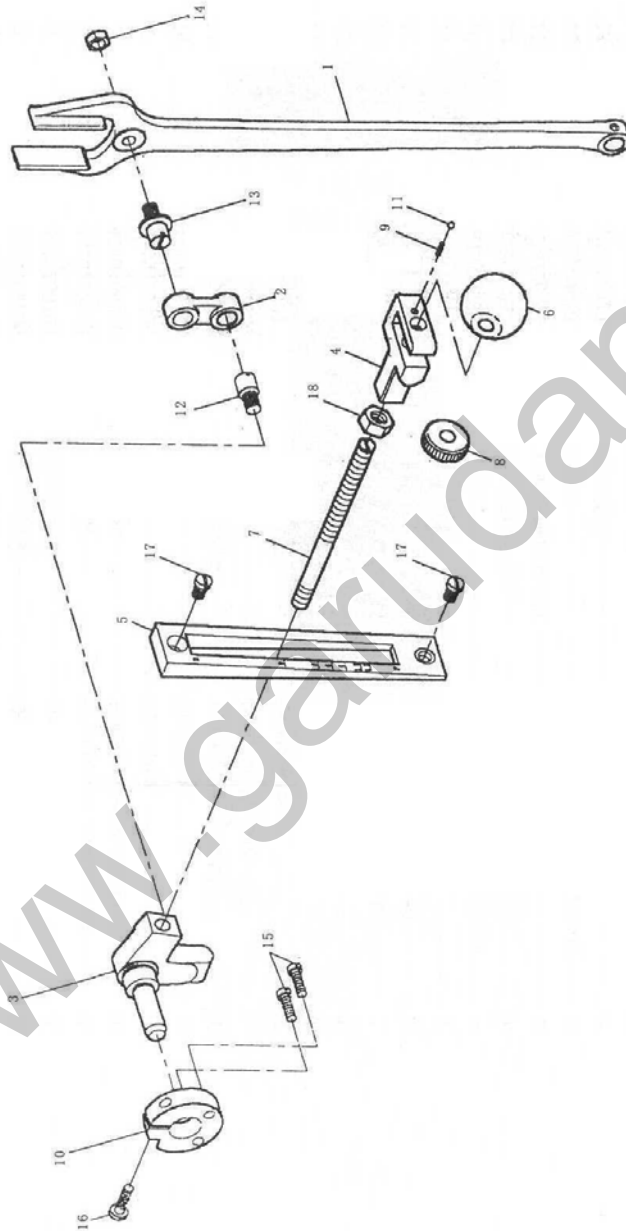
REF. No	Part No.	Name of Part	QTY
1	4710144401	Driving Cam	1
2	4710144500	Connecting Rod	1
3	4710144600	Driving Shaft Arm, Front	1
4	4710144700	Driving Shaft Arm, Rear	1
5	4710144800	Feed Rocker Shaft	1
6	4710144900	Bushing, front	1
7	4710145000	Bushing, Rear	1
8	4710145100	Rod	1
9	ZSG22002	Hinge Screw	1
10	WH208005	Washer	1
11	ZSK18019	Hinge Screw	2
12	ZSA16025	Screw 1/4-40 L=6	2
13	ZMJ06002	Screw m6 L=21	1
14	ZSD20011	Screw 5/16-18	1
15	ZSL22001	Nut 11/32-28	1
16	ZSA15028	Screw 15/64-28 L=7	2
17	RE0000080	E-Shaped Snap Ring(8mm)	2



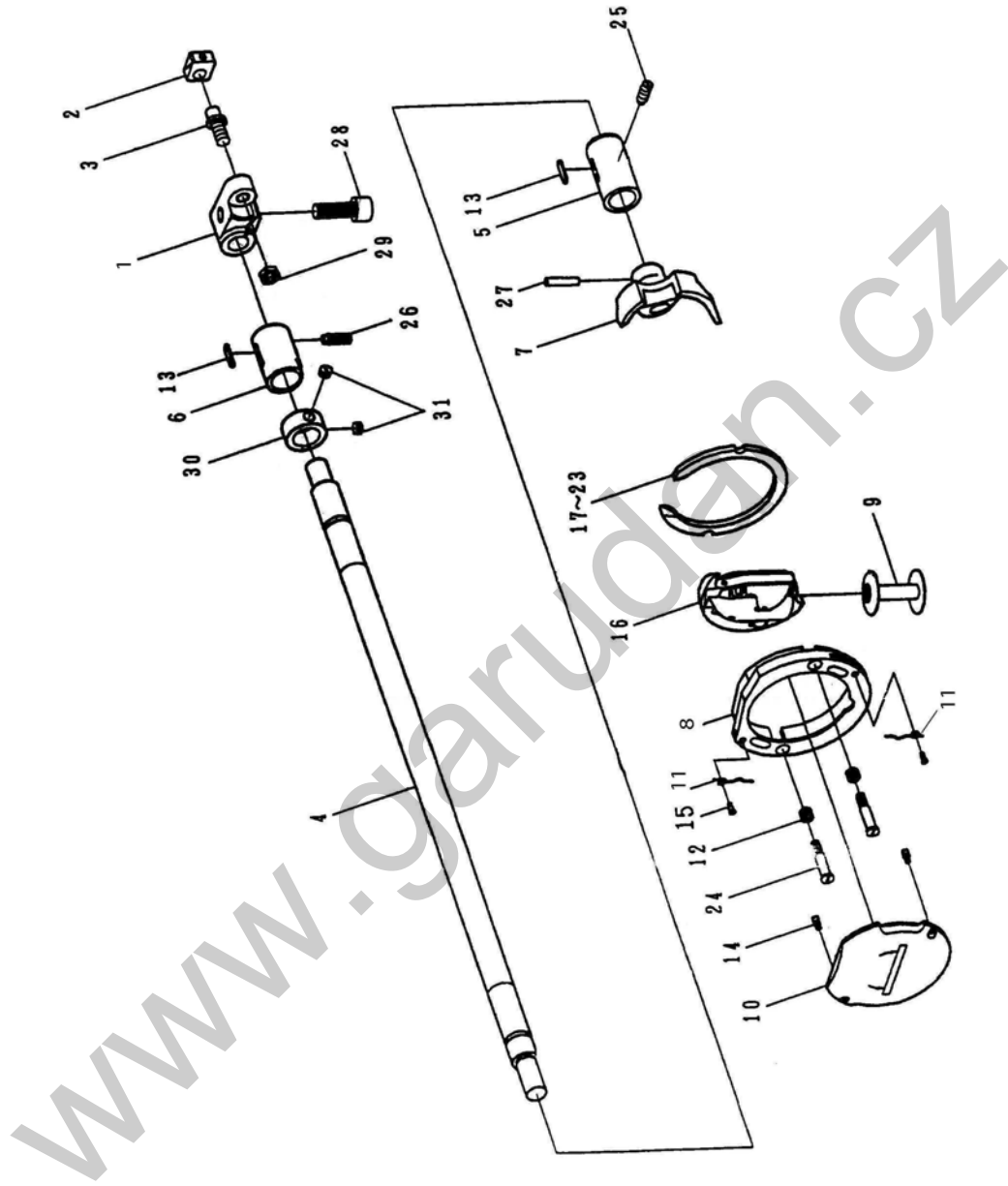
REF. No	Part No.	Name of Part	QTY
1	4710150100	Presser Bar	1
2	4710150200	Presser Bar Bushing	1
3	4710150300	Screw	1
4	4410150400	Spring	1
6	4410150500	Presser Bar Guide Bracket	1
8	4710150600	Hand Lifter Link	1
9	4710150700	Hand Lifter Cam	1
10	4710150800	Hand Lifter Lever	1
11	4410143805	Pressure Foot(Standard)Asm.	1
12	4410143800	Pressure Foot(Standard)	(1)
13	4410152500	Guand	(1)
17	4410115500	Nut	1
18	4410151600	Grip	1
19	4710151700	Guide Plate	1
20	4710151800	Thrust Collar	1
21	4710151900	Roller Follower	1
22	4710152000	Guide Pin	1
23	ZSH16005	Screw 1/4-40 L=4.5	2
24	ZSA16039	Screw 1/4-40 L=2.5	1
25	ZSB12002	Screw 3/16-28 L=12	2
27	ZSB09061	Screw 9/64-40 L=13.5	1
28	ZSL09001	Nut 9/64-40	1
29	ZSJ16001	Screw 1/4-40 L=6.5	1
30	ZSB12016	Screw 3/16-32 L=10	2
31	WA100009	Collar	1
32	YD030020	Spring Pin 3.0x20	1



REF. No	Part No.	Name of Part	QTY
1	4710160100	Feed Bar	1
2	4710160200	Feed Bar Link	1
3	4710160300	Driving Shaft	1
4	4710160404	Feed Rocker Shaft	1
5	4710160600	Bushing,Front	1
6	4710160700	Bushing,Rear	1
7	4410160800	Feed Rocker Shaft Crank	1
9	4410161400	Feed Dog	1
11	4710161700	Driving Shaft Metal	1
12	4710162100	Feed Bar Presser	1
13	ZSK20007	Hinge Screw	1
14	ZSK20009	Hinge Screw	1
15	ZSK20009	Hinge Screw	1
16	ZSG16024	Hinge Screw D=7.94 L=8	1
17	ZSL16004	Nut 1/4-24	1
18	ZSB11041	Screw 11/64-40L=7	1
19	RE000080	E-Shaped Snap Ring (8mm)	1
20	ZSA15037	Screw 15/64-28 L=10.5	1
21	ZMJ06004	Screw M6	2
22	RE000080	E-Shaped Snap Ring (8mm)	1
23	ZSA16029	Screw 1/4-40L=3.5	4
24	ZSB11035	Screw 11/64-28L=6	2
25	ZSA15028	Screw 15/64-28L=7	1
26	ZSA15037	Screw 15/64-28L=10.5	1
27	LG4044-0A	Thrust Collar D=14.72 W=10	1
28	LG4014-0A	Thrust Collar D=11.11 W=10	1

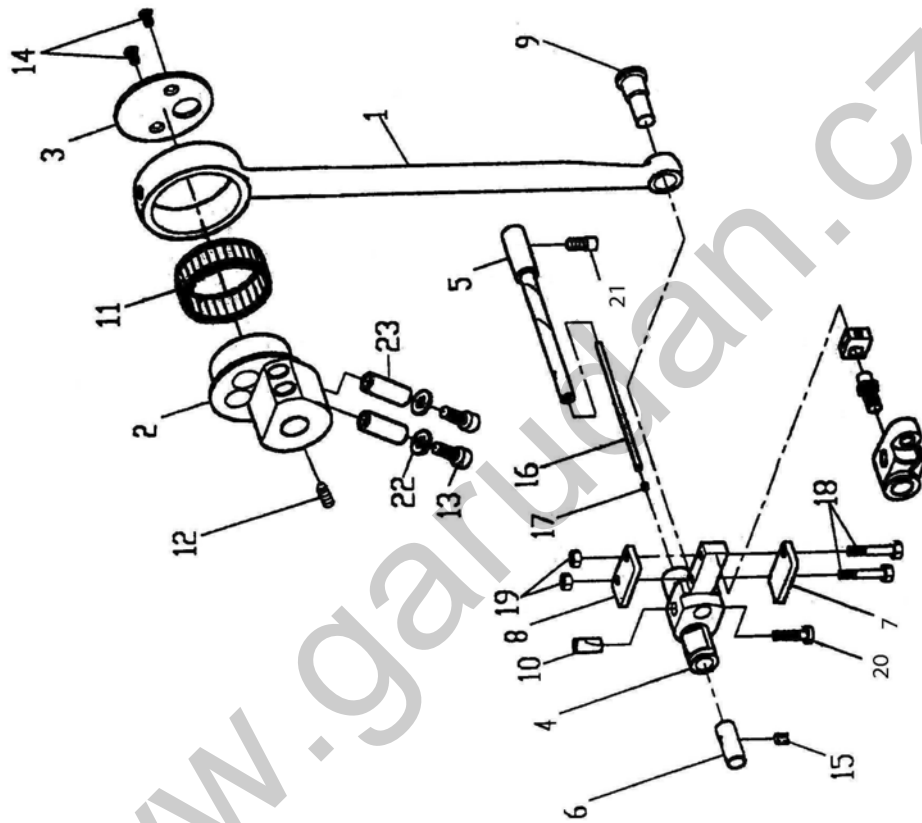


REF. No	Part No.	Name of Part	QTY
1	4710160900	Rod	1
2	4710161000	Feed Connecting Link	1
3	4710161100	Feed Regulator	1
4	4710161200	Lever	1
5	4710161300	Side Cover	1
6	4710161500	Lever Grip	1
7	4710161800	Lever Shaft	1
8	4710161900	Nut	1
9	4710162000	Spring	1
10	4710162200	Support Plato	1
11	4710162300	Ball	1
12	ZSK18018	Hinge Screw , A	1
13	ZSK18020	Hinge Screw , B	1
14	ZSL18001	Nut 9/32-28	1
15	ZSB12015	Screw 3/16-28 L=12	2
16	ZSB12036	Screw 3/16-32 L=18	1
17	ZSB15019	Screw 15/64-28 L=9	2
18	ZML08001	Nut	1

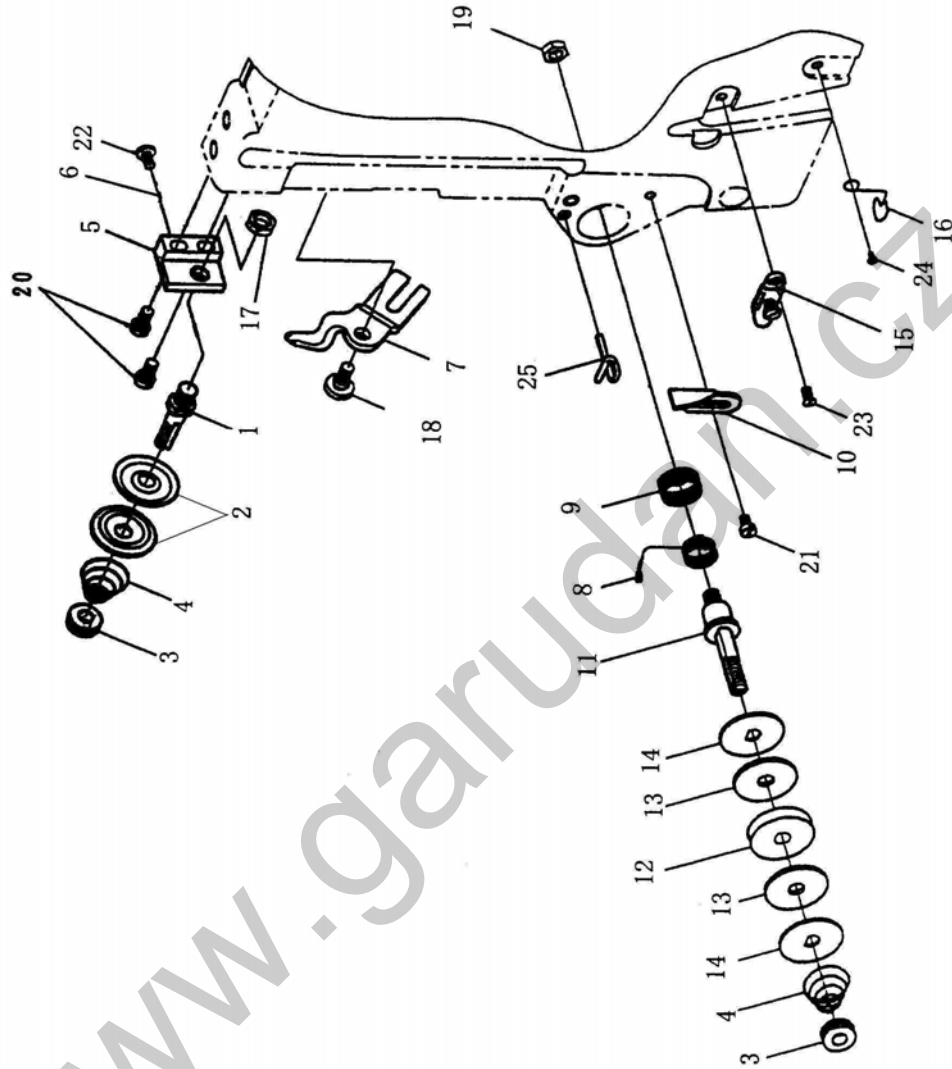


REF. No	NOTE	Part No.	Name of Part	QTY
1		4710182500	Hook Driving Shaft Crank	1
2		4710182600	Crank Slide Block	1
3		4710182700	Slide Block Stud	1
4		4710180100	Hook Driving Shaft	1
5		4710180300	Bushing,Front	1
6		4710180500	Bushing,Rear	1
7		4410181600	Shuttle Driver	1
8		4710181400	Shuttle Race Body	1
9		4710183200	Bobbin	1
10		4710183600	Hook Cover	1
11		4710183700	Hook Cover Spring	2
12		4710183800	Hook Counter Spring	2
13		4710183900	Oil Felt	2
14		4710184000	Screw	2
15		ZSG06004	Hinge Screw D=2.6 L=2.7	2
16		4710181300	Hook Cover	1
17	#03	4710184210	Distance Piece	(1)
18	#03	4710184220	Distance Piece	(1)
19	#03	4710184230	Distance Piece	(1)
20		4710184200	Distance Piece (Standard)	1
21	#03	4710184240	Distance Piece	(1)
22	#03	4710184250	Distance Piece	(1)
23	#03	4710184260	Distance Piece	(1)
24		ZSG12047	Screw	2
25		ZSA15010	Screw 15/64-28 L=15	1
26		ZSA15010	Screw 15/64-28 L=15	1
27		YB040016	Tapered Pin 4.0x16	1
28		ZMJ08003	Screw M18 L=30	1
29		ZSL 18003	Nut 9/32-28	1
30		LG4044-0A	Thrust Collar D=14.72 W=10	1
31		ZSA16029	Screw 1/4-40 L=3.5	2

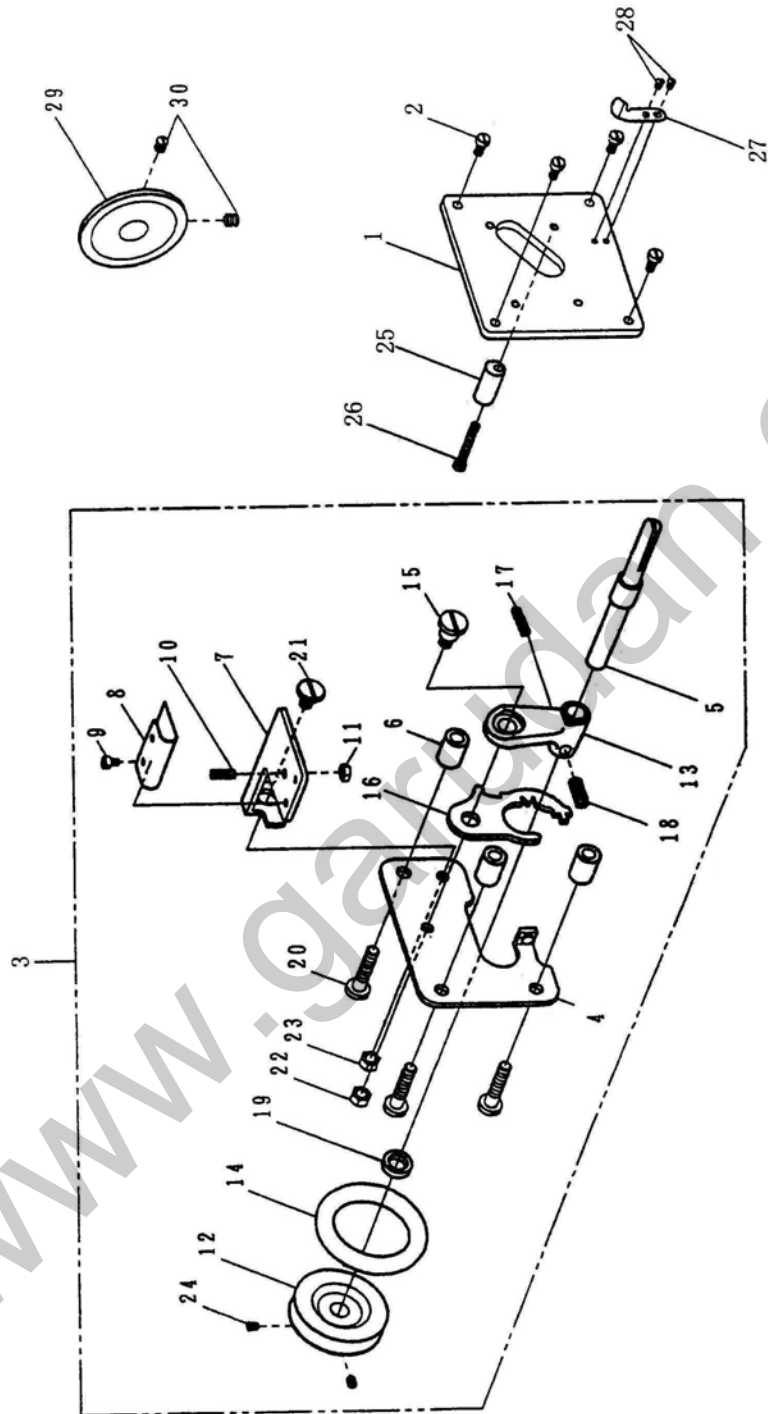
3selective part



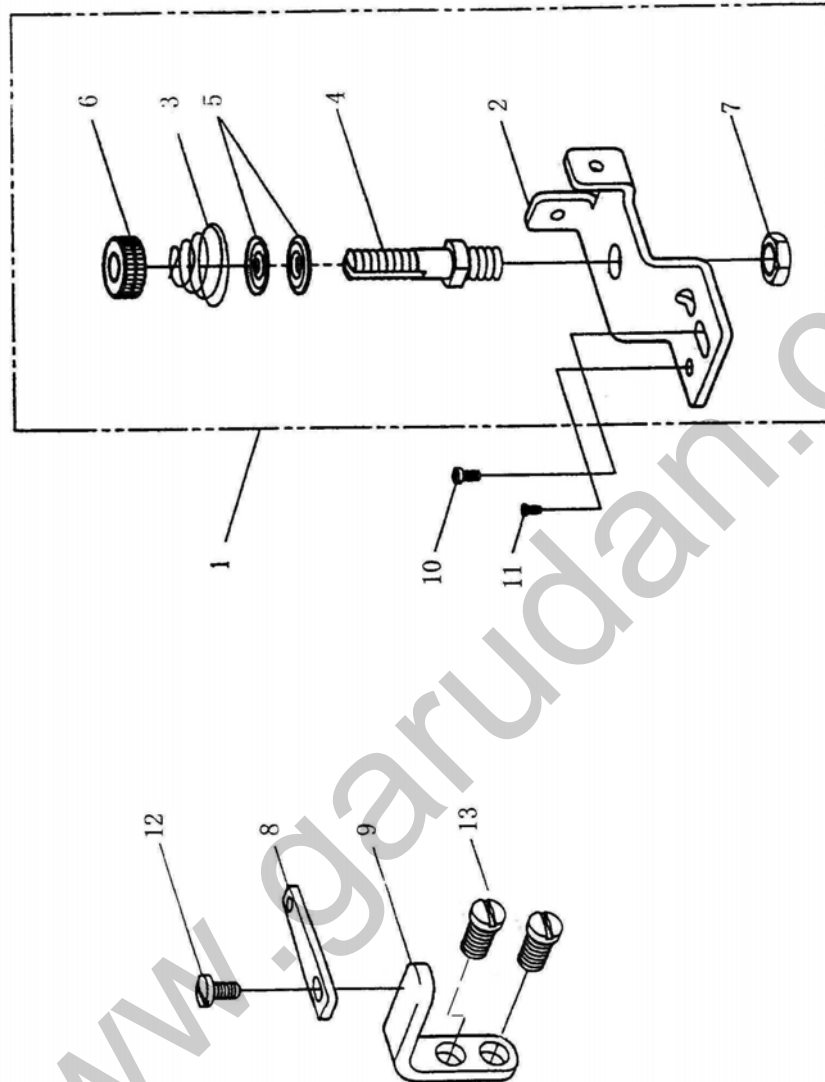
REF. No	Part No.	Name of Part	QTY
1	4710181800	Connecting Rod	1
2	4710181900	Con-Rod Eccentric Cam	1
3	4710182000	Cam Side Plate	1
4	4710182200	Oscilating Rock Shaft	1
5	4710182300	Hjnge Pin	1
6	4710182400	Rock Shaft Bushing	1
7	4710182800	Slide Plate A	1
8	4710182900	Slide Plate B	1
9	4710183000	Con-Rod Pin	1
10	4710183100	Con-Rod Pin Wedge	1
11	4710182100	Cage & Roller	1
12	ZSH15006	Screw 15/64-28L=15	1
13	ZMJ06006	Screw M8l=30	2
14	ZSC11002	Screw 11/64-40L=7	2
15	ZSA15028	Screw 15/64-28L=7	1
16	XA300085	Oil Wick	1
17	LG1275-0A	Ping 2.9x3.2x3	1
18	ZSD11010	Screw	2
19	ZSL11002	Nut 11/64-40	2
20	ZSB12036	Screw 3/16-32L=18	1
21	ZSJ15001	Screw 15/64-28L=10.7	1
22	4710183400	PIN	2
23	WA06008	Washer	2



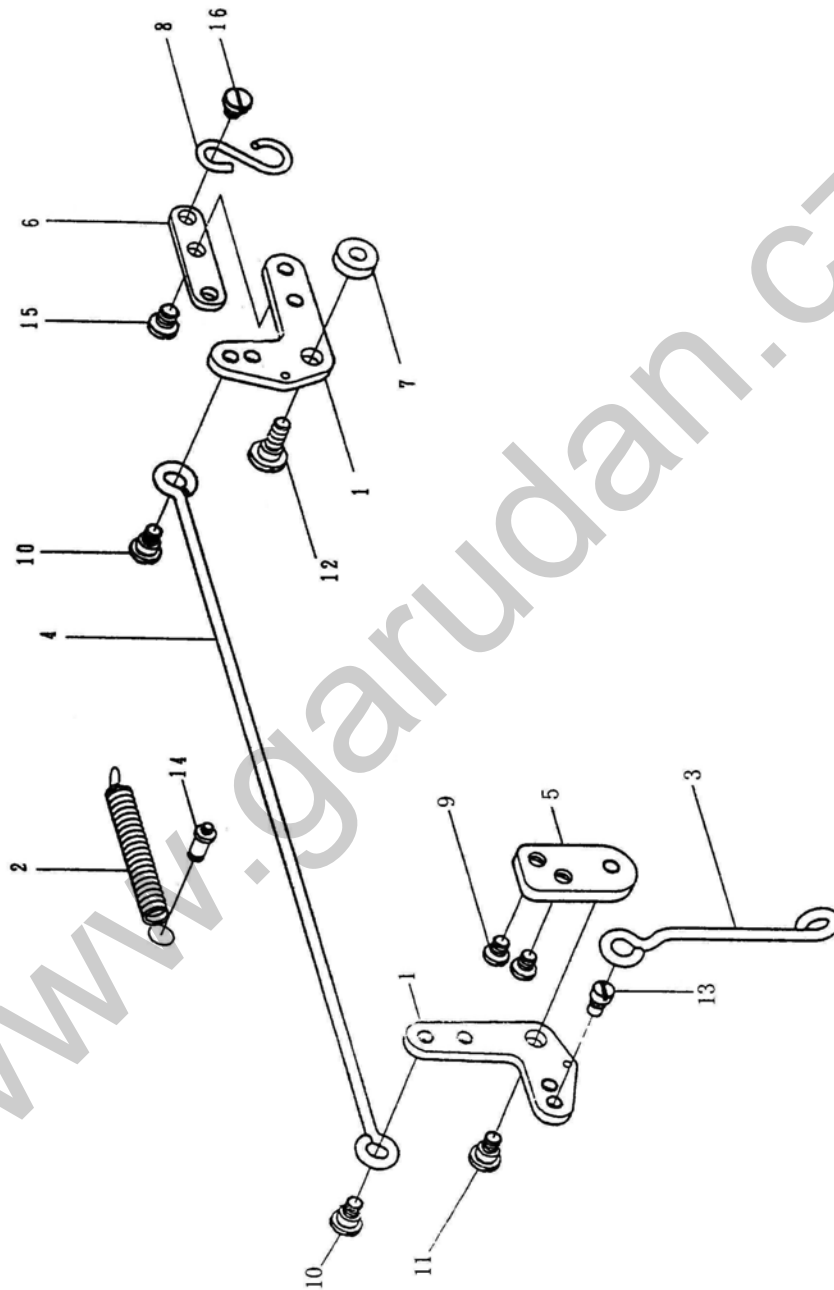
REF. No	Part No.	Name of Part	QTY
1	4710310100	Thread Tension Post	1
2	A1025-0A	Tension Disk	2
3	ZSN16004	Thread Tension Stud Nut	2
4	4710310400	Thread Tension Spring	2
5	4710310500	Thread Tension Post Bracket	1
6	4710310600	Thread Tension Guide	1
7	4710310700	Thread Releasing Plate	1
8	4710310800	Spring A	1
9	4710310900	Spring B	1
10	4710311000	Spring Support Plate	1
11	4710311100	Thread Tension Wheel Post	1
12	4710311200	Thread Tension Wheel	1
13	XB123001	Wheel Felt	2
14	4710311400	Felt Support Plate	2
15	4710311605	Arm Thread Guide Bottom Asm	1
16	4710312000	Frame Thread Guide	1
17	ZSL18003	Nut 9/32-28	1
18	ZSG12046	Hinge Screw D=6.0 L=3.2	1
19	ZSL15002	Nut 15/64-28	1
20	ZSB11011	Screw 9/64-40 L=9	2
21	ZSB09014	Screw 9/64-40 L=6.0	1
22	ZSB09047	Screw 9/64-40 L=7	1
23	ZSC09005	Screw 9/64-40 L=5	1
24	ZSB09047	Screw 9/64-40 L=7	1
25	4710113300	Thread Guide	1



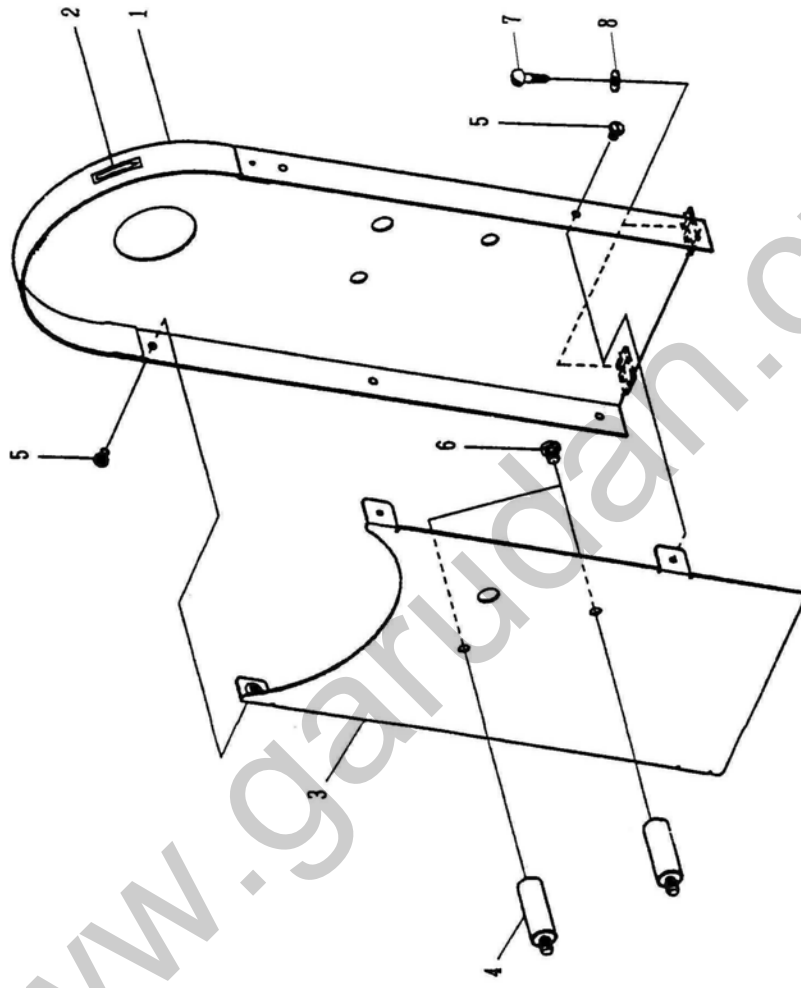
REF. No	Part No.	Name of Part	QTY
1	4710320100	Thread Winder Plate	1
2	ZSB11011	Screw 11/64-40 L=9	4
3	4710320805	Thread Winder Asm.	1
4	4710320800	Thread Winder Base	(1)
5	4710320900	Thread Winder Shaft	(1)
6	4710321000	Spacer	(3)
7	4710321100	Bobbin Presser	(1)
8	4710321200	Bobbin Presser Spring	(1)
9	ZSB06008	Screw 3/32-56 L=3.3	(2)
10	ZSA08007	Adjusting Screw	(1)
11	ZSL08001	Nut 1/8-44	(1)
12	4710321300	Bobbin Winder Wheel	(1)
13	4710321400	Bobbin Winder Frame	(1)
14	4710322000	Wheel Ring	(1)
15	ZSG11059	Hinge Screw	(1)
16	4710321500	Bobbin Winder Tension Bracket	(1)
17	4710321600	Spring	(1)
18	4710321800	Bobbin Winder Spring	(1)
19	4710321900	Thread Winding Shaft Collar	(1)
20	ZSB11083	Screw 11/64-40 L=18	(3)
21	ZSG11057	Hinge Screw D=7.24L=1.9	(1)
22	ZSL11007	Nut 11/64-40	(1)
23	ZSL11007	Nut 11/64-40	(1)
24	ZSA11003	Screw 11/64-40 L=5	(2)
25	4710320300	Stopper	1
26	ZSB11071	Screw 11/64-40 L=30	1
27	4710320400	Thread Cut & Clamp Plate	1
28	ZSB08008	Screw 1/8-44 L=4	2
29	4710320500	Friction Wheel	1
30	ZSA15028	Screw 15/64-28 L=7	2



REF. No	Part No.	Name of Part	QTY
1	4710313005	Thread Winder Guide Base Asm.	1
2	4710313000	Thread Winder Guide Base	(1)
3	4710313100	Tension Spring	(1)
4	4710310100	Thread Tension Post	(1)
5	A1025-0A	Tension Disk	(2)
6	ZSN16004	Thread Tension Stud Nut	(1)
7	ZSL18003	Nut 9/32-28	(1)
8	4710322200	Thread Guide	1
9	4710322300	Guide Bracket	1
10	ZSB11015	Screw 11/64-40 L=8.5	1
11	ZSB08001	Screw 1/8-44 L=6	1
12	ZSB09047	Screw 9/64-40 L=7	1
13	ZSB15004	Screw 15/64-28 L10.5	2



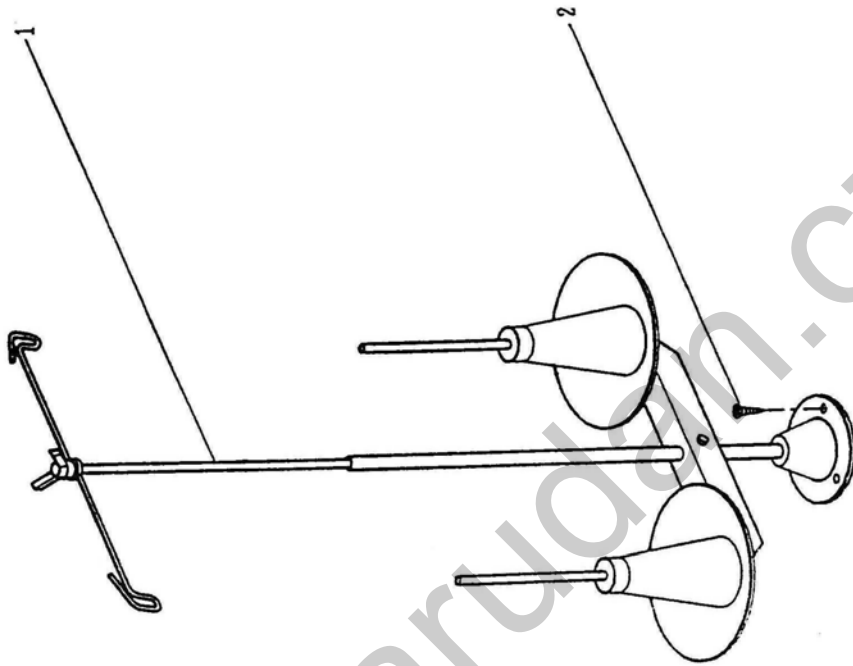
REF. No	Part No.	Name of Part	QTY
1	4710340100	Presser Bar Lifting Link	2
2	4710340200	Presser Bar Lifting Spring	1
3	4710340300	Presser Bar Lifting Bar	1
4	4710340400	Side Connecting Bar	1
5	4710340500	Link Base	1
6	4710340600	Link Plate	1
7	4710340700	Link Collar	1
8	4710340800	S-Plug	1
9	ZSB15001	Screw 15/64-28 L=6.5	2
10	ASG15045	Hinge Screw D=7,94 L=4,3	2
11	ZSG15045	Hinge Screw D=7,94 L=4,3	1
12	ZSG15046	Hinge Screw D=7,94 L=4,3	1
13	4710341200	Hinge Screw	1
14	ZSK11037	Spring Suspension	1
15	ZSB15001	Screw 15/64-28 L=6.5	2
16	ZSG16025	Hinge Screw D=8,0 L=3,4	1



WWW.GARIBOLDI.CZ

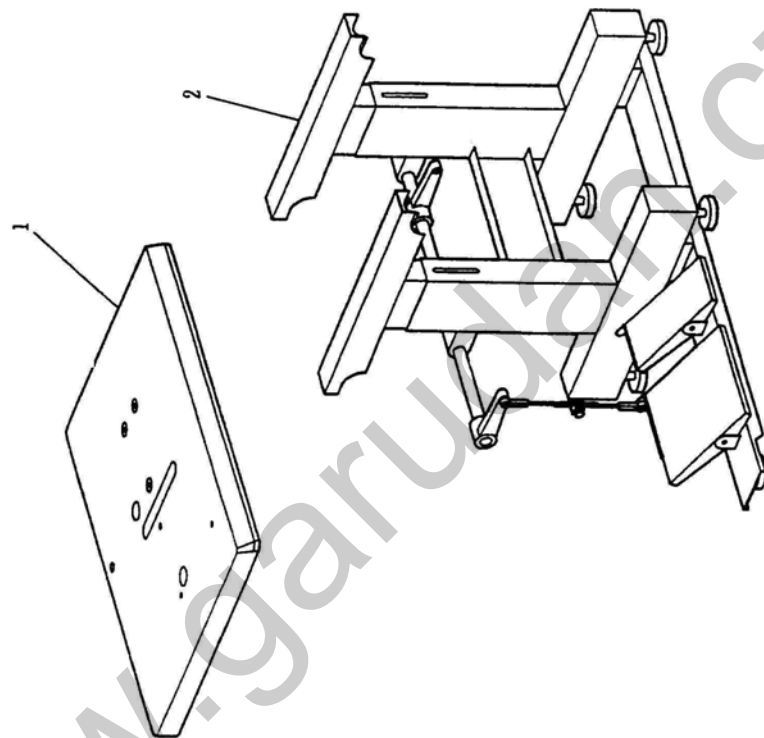
REF. No	Part No.	Name of Part	Q'TY
1	4710335100	Belt Cover A	1
2	4710335400	Direction Label	1
3	4710335200	Belt Cover B	1
4	4710335300	Belt Cover Stud	2
5	ZSB11008	Screw 11/64-40 L=5	5
6	ZSB15001	Screw 15/64-28 L=6.5	2
7	ZMT05003	Wood Screw D=8.3L=18	2
8	WA059005	Washer 5x10.5x1	2

WWW.garudan.cz



REF. No	Part No.	Name of Part	QTY
1	A7050-0A	Thread Stand	1
2	ZMT05001	Wood Screw L=8	3

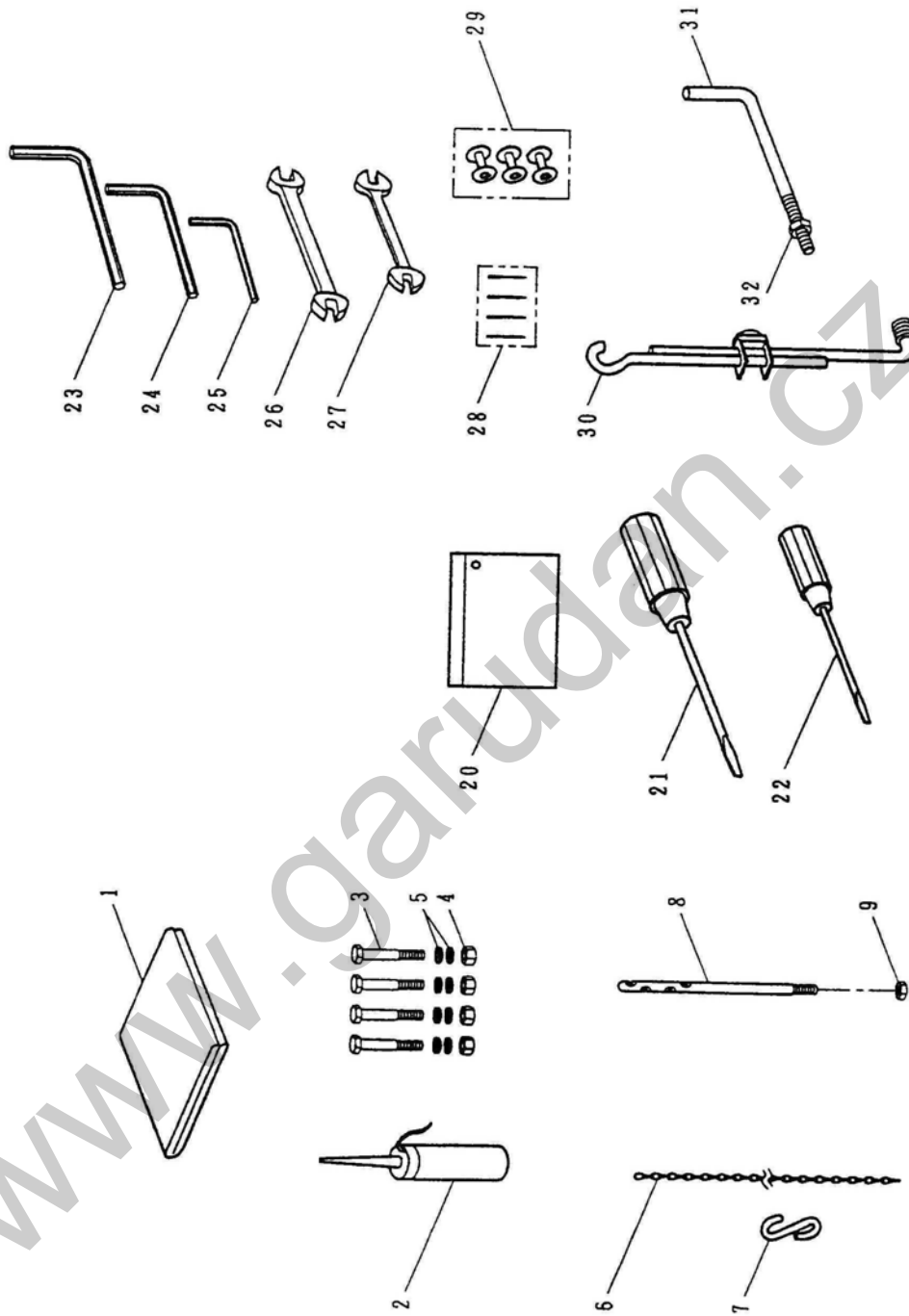
www.garudan.cz



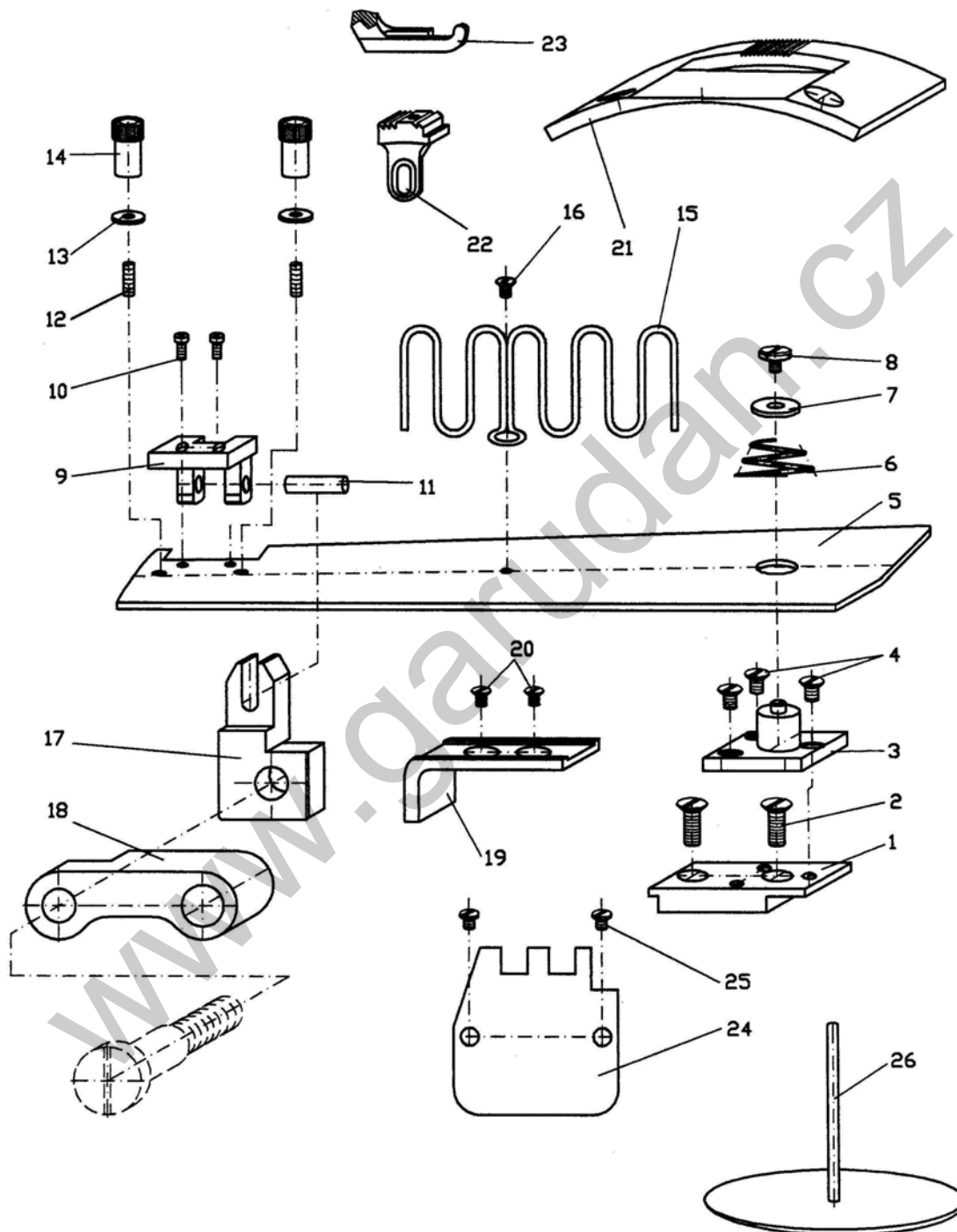
Name of Part	QTY
Table	1
Stand	1

REF. No	NOTE	Part No.
1		4710820100
2		0

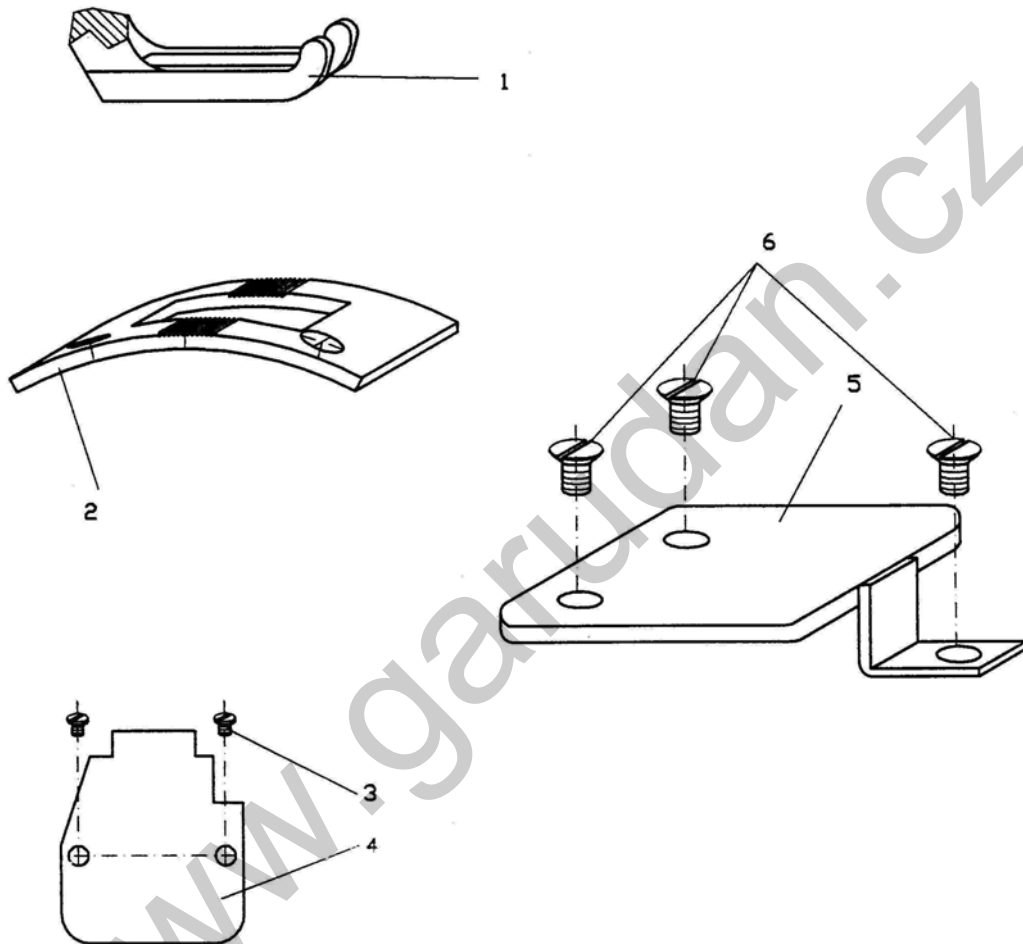
www.garudan.cz



REF No	NOTE	Part No.	Name of Part	QTY
1		A7001-0A	Cover	1
2		A7012-1A	Oilier Asm.	1
3		ZMD10002	Screw M10 L=65	4
4		ZML10004	Nut M 10	4
5		WA110003	Washer 11x27x2	8
6		4710341400	Chain	1
7		4710340800	S-Plug	1
8		4710113400	Needle Thread Guide Pin	1
9		ZSL12003	Nut 3/16-32	1
10		4710911005	Oil Pot Asm.	1
11		4710911100	Oil Pot Cover	(1)
12		4710911000	Oil Pot	(1)
13		4710911200	Frame Thread Guide	(1)
14		4710911300	Cover Stopper	(1)
15		ZSL06001	Nut 3/32-56	(1)
16		ZSB09047	Screw 9/64-40 L=7	(1)
17		4710911400	Pin	(1)
18		ZSB15005	Screw 15/64-28 L=12	(1)
19		ZSA09005	Screw 9/64-40 L=3.5	(1)
20		A7000-0A	Accessory Box	1
21		A7010-2A	Screw Driver Large	1
22		A7010-0A	Screw Diver, Small	1
23		EH7141-5A	Hexagonal Wrench Key(5mm)	1
24		EH7141-6A	Hexagonal Wrench Key(4mm)	1
25		EH7141-4A	Hexagonal Wrench Key(3mm)	1
26		LG7200-0A	Wrench(11x14)	1
27		LG7201-0A	Wrench(9x10)	1
28		IN794#230	Needle (794 Nm=230-4)	1
29		4710183200	Bobbin	3
30	#06	0	Motor Connecting Rod Asm.	(1)
31	#03	0	Supporting Arm	(1)
32	#03	ZSL15004	Nut 15/64-28	(1)



No.	Ref. No.	Description	Pcs.
K1	GC/331543006	Base	1
K2	GC/331543014	Screw M6x16 DIN 963A	2
K3	GC/331543007	Base	1
K4	GC/331543015	Screw M5x8 DIN 963A	3
K5	GC/331543005	Binder Feeding Cover	1
K6	GC/331543012	Binder Plate Spring	1
K7	GC/33154317	Washer 6x20/0,5 BN 732	1
K8	GC/33154316	Screw M4x6 DIN 921	1
K9	GC/331543004	Bracket	1
K10	GC/331543019	Screw M3x6 DIN 912	2
K11	GC/331543020	Pin 3h6x12 DIN 6325	1
K12	GC/2002A380B	Pin	2
K13	GC/33154318	Washer 4x8/0,5 DIN 988	4
K14	GC/2002C380B	Nut for Binder	2
K15	GC/2005G38LB	Tape Guide	1
K16	GC/SC01764118	Screw	1
K17	GC/331543001	Bracket	1
K18	GC/331543002	Feed driving connecting link	1
K19	GC/331543003	Feed dog base limitid plate	1
K20	GC/331543021	Screw M4x6 din 963A	2
K21	GC/331543010	Needle Plate	1
K22	GC/331543013	Feed Dog	1
K23	GC/331543011	Presser Foot	1
K24	GC/331543008	Cover	1
K25	GC/331543022	Screw M3x6 DIN 84A	2
K26	KH/TS-2	Tape Stand Assy	1



No.	Ref. No.	Description	Pcs.
O1	GC/4410143805	Pressure Foot (Standart) Asm	1
O2	GC/4410111300	Throat Plate	1
O3	GC/331543022	Screw M3x6 DIN 84A	2
O4	GC/331543023	Cover	1
O5	GC/331543S024	Slide Plate Special	1
O6	GC/ZSB11018	Screw	3

www.garudan.cz

www.garudan.cz